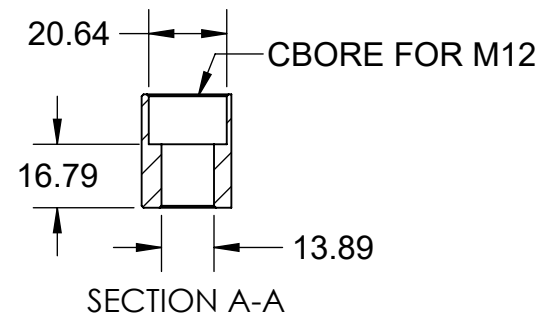
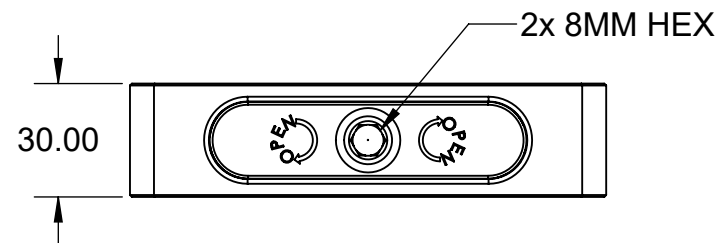
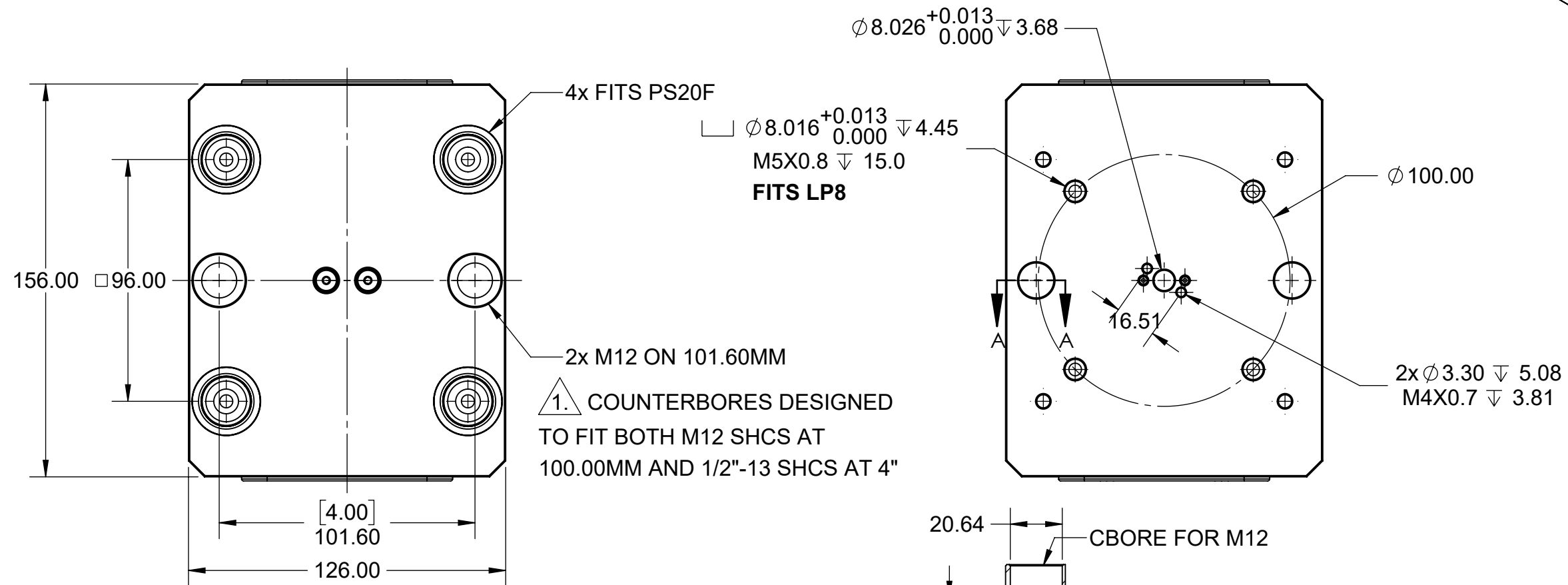
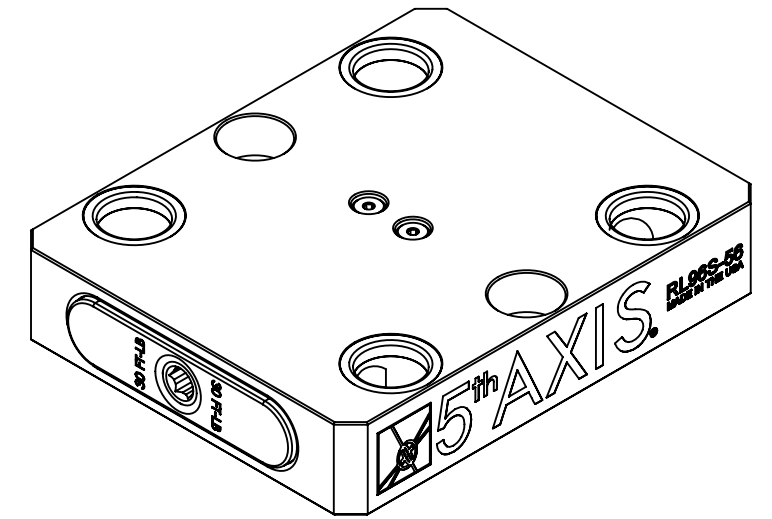


MATERIAL:
 RL96A-56: 6061 ALUMINUM BODY
 RL96S-56: 1018 STEEL BODY

RL96A-56 RL96S-56

1. ENLARGED COUNTERBORE

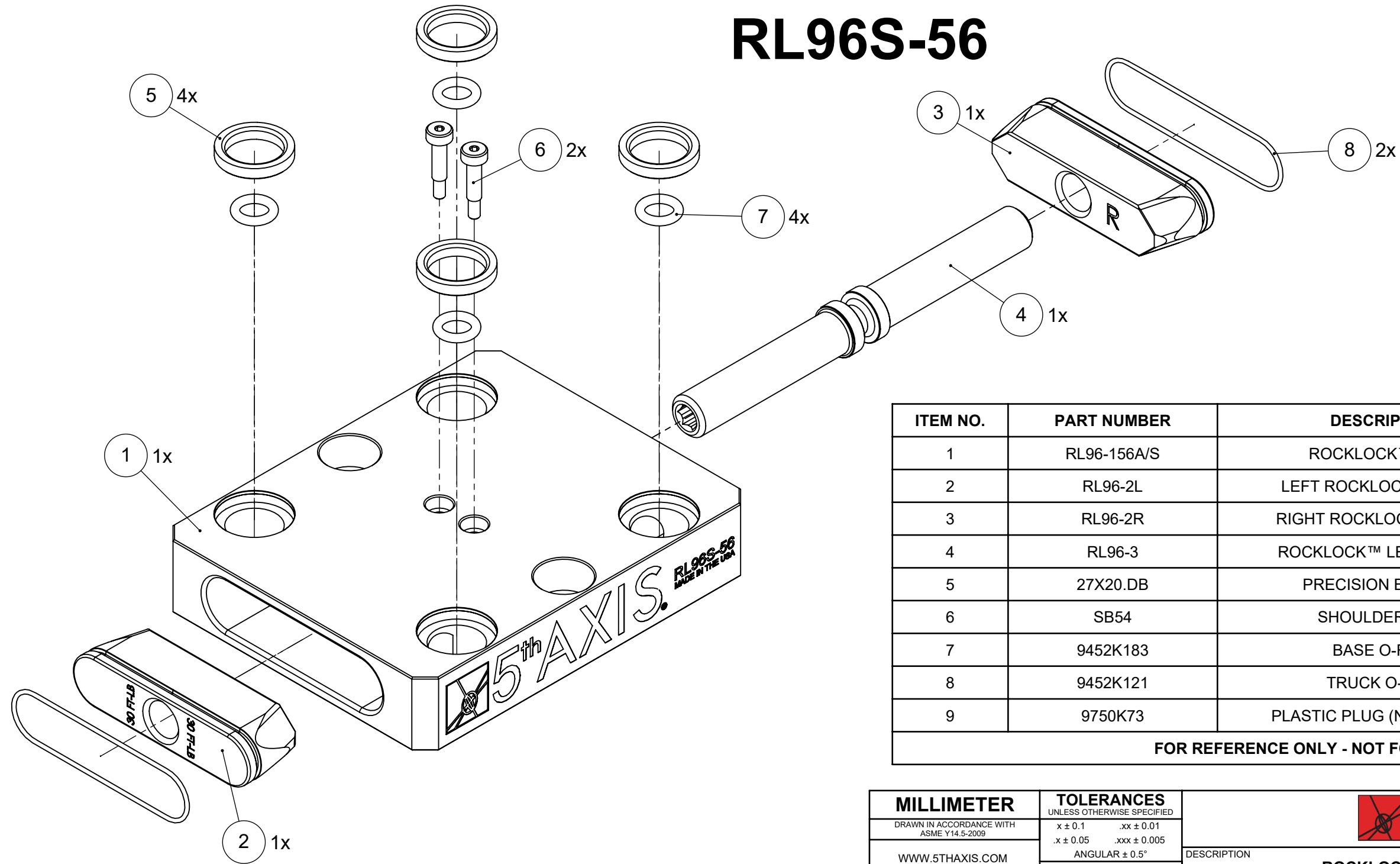


1. COUNTERBORES DESIGNED TO FIT BOTH M12 SHCS AT 100.00MM AND 1/2"-13 SHCS AT 4"

MILLIMETER		TOLERANCES UNLESS OTHERWISE SPECIFIED			
DRAWN IN ACCORDANCE WITH ASME Y14.5-2009		x ± 0.1 .xx ± 0.01 .x ± 0.05 .xxx ± 0.005 ANGULAR ± 0.5° THIRD ANGLE PROJECTION			
WWW.5THAXIS.COM				DESCRIPTION ROCKLOCK™ 96MM LOW-PROFILE BASE	
7140 ENGINEER ROAD SAN DIEGO, CA 92111				SIZE B	PART NO. RL96A-56 / RL96S-56
P (858) 505-0432 F (858) 505-9344		DO NOT SCALE DRAWING		SCALE 1:2	WEIGHT:
				SHEET 1 OF 2	

MATERIAL:
RL96A-56: 6061 ALUMINUM BODY
RL96S-56: 1018 STEEL BODY

RL96A-56 RL96S-56



ITEM NO.	PART NUMBER	DESCRIPTION	QTY.
1	RL96-156A/S	ROCKLOCK™ BASE	1
2	RL96-2L	LEFT ROCKLOCK™ TRUCK	1
3	RL96-2R	RIGHT ROCKLOCK™ TRUCK	1
4	RL96-3	ROCKLOCK™ LEAD SCREW	1
5	27X20.DB	PRECISION BUSHING	4
6	SB54	SHOULDER BOLT	2
7	9452K183	BASE O-RING	4
8	9452K121	TRUCK O-RING	2
9	9750K73	PLASTIC PLUG (NOT SHOWN)	4

FOR REFERENCE ONLY - NOT FOR RESALE

MILLIMETER <small>DRAWN IN ACCORDANCE WITH ASME Y14.5-2009</small> WWW.5THAXIS.COM 7140 ENGINEER ROAD SAN DIEGO, CA 92111 P (858) 505-0432 F (858) 505-9344	TOLERANCES <small>UNLESS OTHERWISE SPECIFIED</small> x ± 0.1 .xx ± 0.01 .x ± 0.05 .xxx ± 0.005 ANGULAR ± 0.5° THIRD ANGLE PROJECTION			
		DESCRIPTION ROCKLOCK™ 96MM LOW-PROFILE BASE		
		SIZE B	PART NO. RL96A-56 / RL96S-56	REV A
DO NOT SCALE DRAWING		SCALE 2:3	WEIGHT:	SHEET 2 OF 2