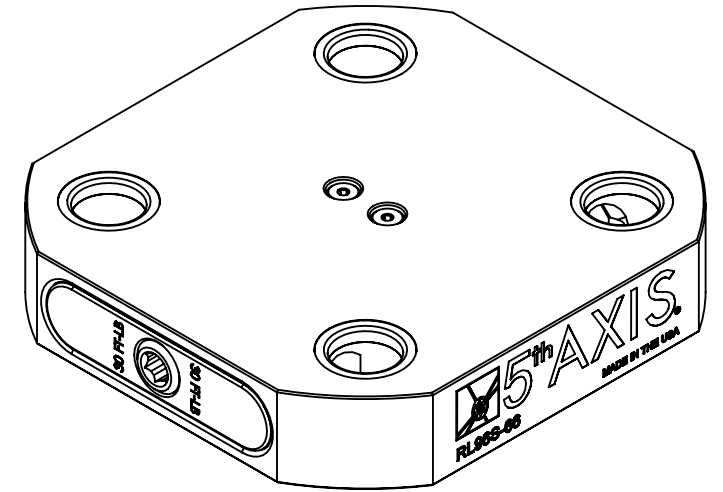
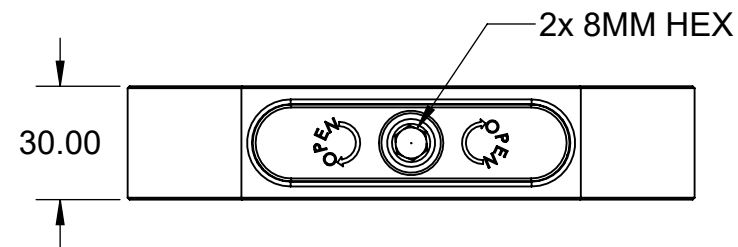
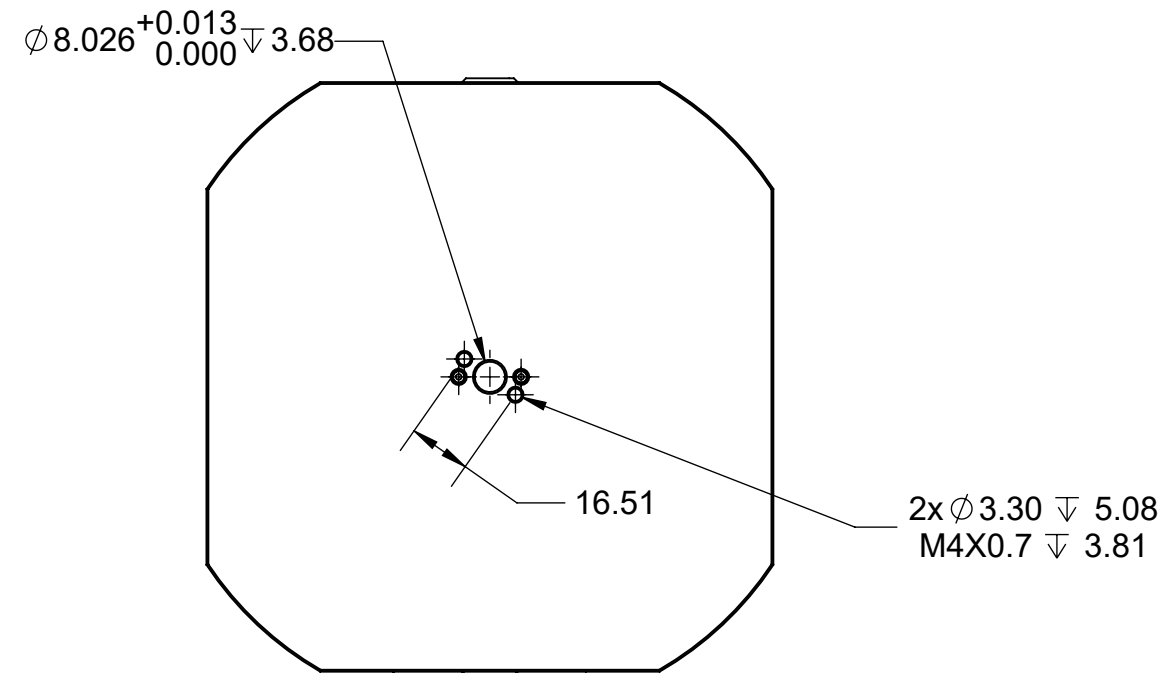
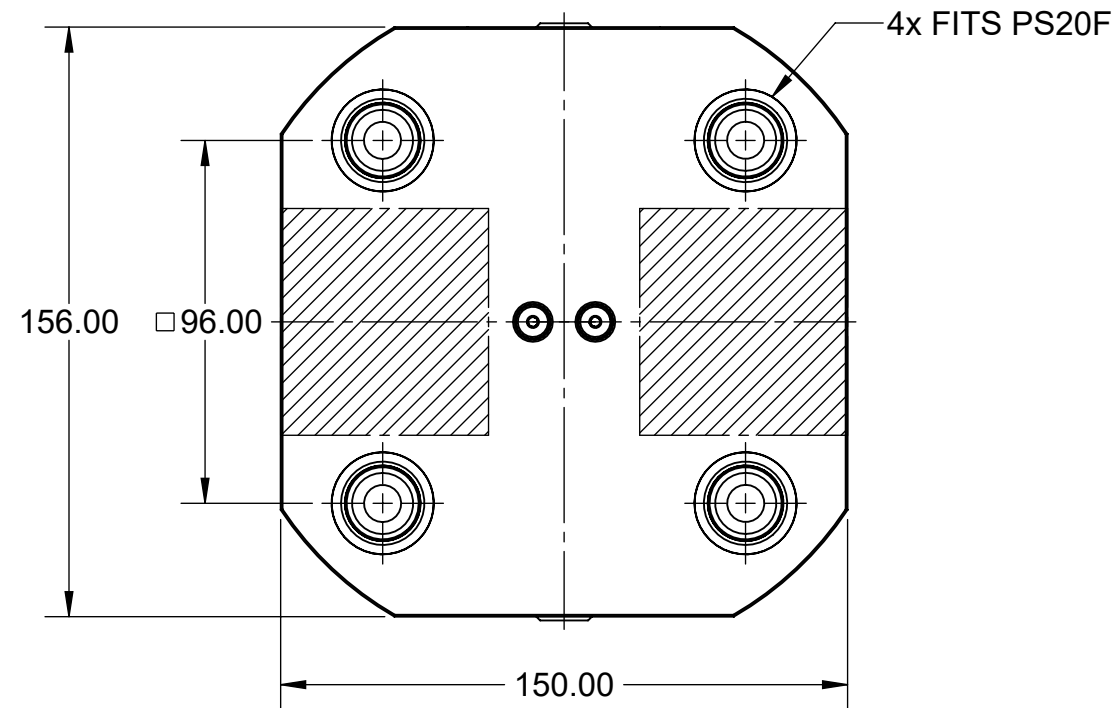



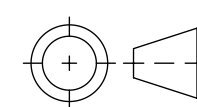
MATERIAL:
 RL96A-66: 6061 ALUMINUM BODY
 RL96S-66: 1018 STEEL BODY

RL96A-66 RL96S-66



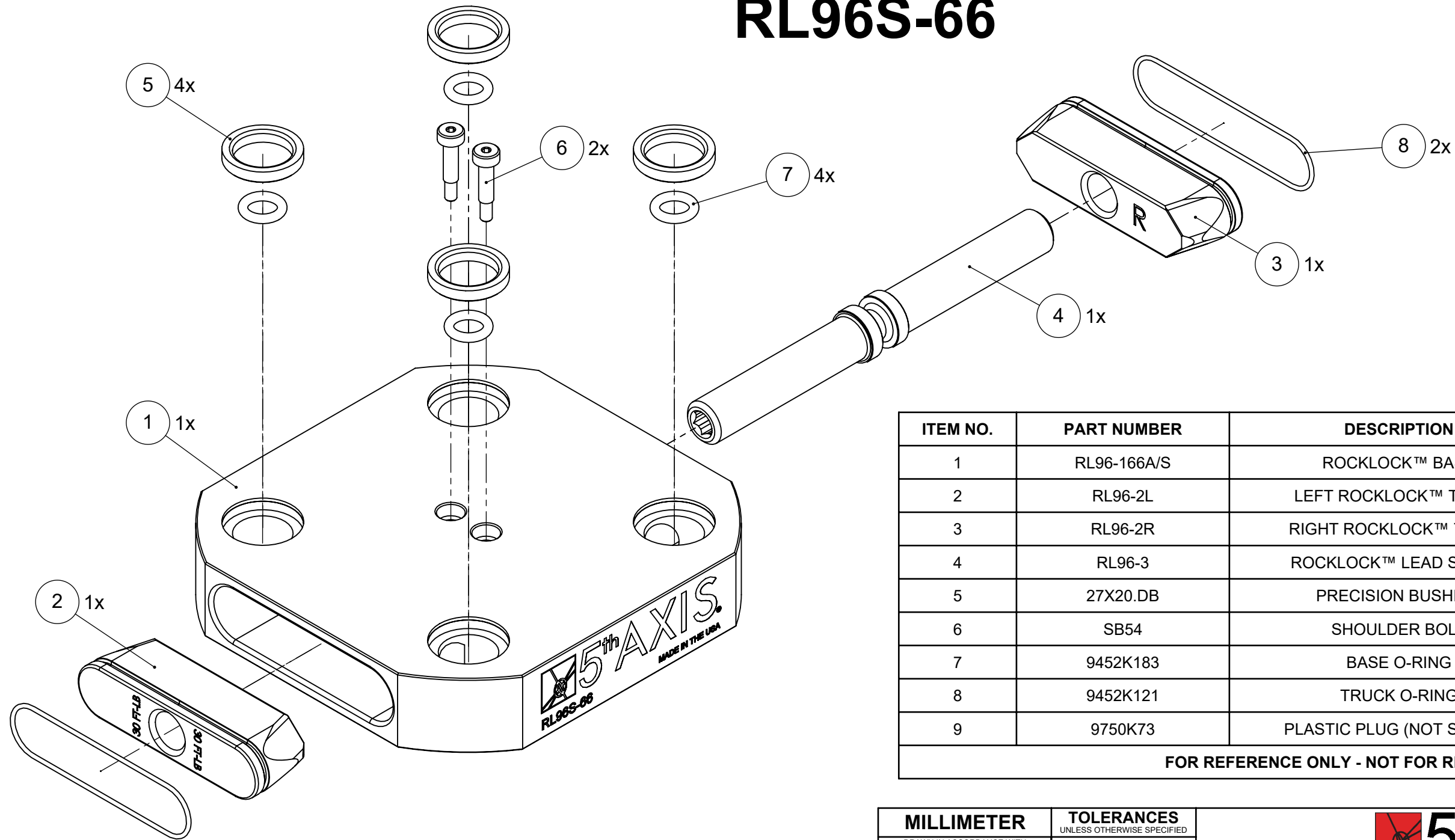
DRILL YOUR OWN MOUNTING HOLES



MILLIMETER		TOLERANCES UNLESS OTHERWISE SPECIFIED		 ROCKLOCK™ 96MM LOW-PROFILE BASE	
DRAWN IN ACCORDANCE WITH ASME Y14.5-2009		x ± 0.1 .xx ± 0.01 .x ± 0.05 .xxx ± 0.005 ANGULAR ± 0.5° THIRD ANGLE PROJECTION			
WWW.5THAXIS.COM				DESCRIPTION	
7140 ENGINEER ROAD SAN DIEGO, CA 92111				SIZE	
P (858) 505-0432 F (858) 505-9344		B		RL96A-66 / RL96S-66	
		DO NOT SCALE DRAWING		SCALE 1:2	
		WEIGHT:		SHEET 1 OF 3	
				REV A	

MATERIAL:
RL96A-66: 6061 ALUMINUM BODY
RL96S-66: 1018 STEEL BODY

RL96A-66 RL96S-66



ITEM NO.	PART NUMBER	DESCRIPTION	QTY.
1	RL96-166A/S	ROCKLOCK™ BASE	1
2	RL96-2L	LEFT ROCKLOCK™ TRUCK	1
3	RL96-2R	RIGHT ROCKLOCK™ TRUCK	1
4	RL96-3	ROCKLOCK™ LEAD SCREW	1
5	27X20.DB	PRECISION BUSHING	4
6	SB54	SHOULDER BOLT	2
7	9452K183	BASE O-RING	4
8	9452K121	TRUCK O-RING	2
9	9750K73	PLASTIC PLUG (NOT SHOWN)	4

FOR REFERENCE ONLY - NOT FOR RESALE

MILLIMETER <small>DRAWN IN ACCORDANCE WITH ASME Y14.5-2009</small> <small>WWW.5THAXIS.COM</small> <small>7140 ENGINEER ROAD SAN DIEGO, CA 92111</small> <small>P (858) 505-0432 F (858) 505-9344</small>	TOLERANCES <small>UNLESS OTHERWISE SPECIFIED</small> x ± 0.1 .xx ± 0.01 .x ± 0.05 .xxx ± 0.005 ANGULAR ± 0.5° THIRD ANGLE PROJECTION				
		DESCRIPTION ROCKLOCK™ 96MM LOW-PROFILE BASE			
SIZE B PART NO. RL96A-66 / RL96S-66 REV A		DO NOT SCALE DRAWING	SCALE 2:3	WEIGHT:	SHEET 2 OF 3

8

7

6

5

4

3

2

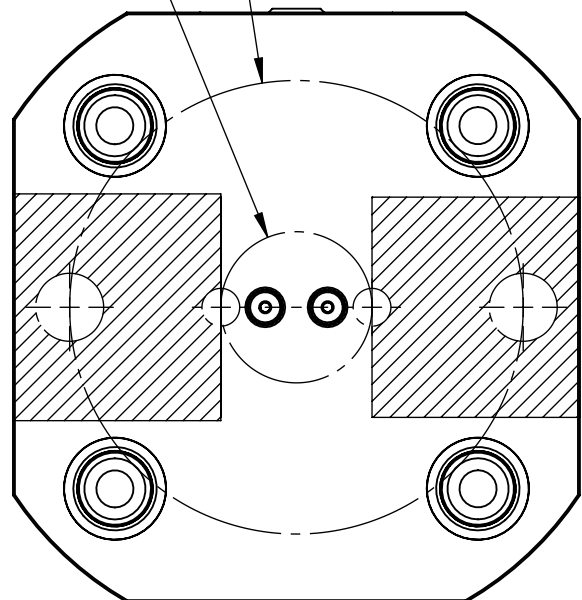
1

MATERIAL:
RL96A-66: 6061 ALUMINUM BODY
RL96S-66: 1018 STEEL BODY

RL96A-66

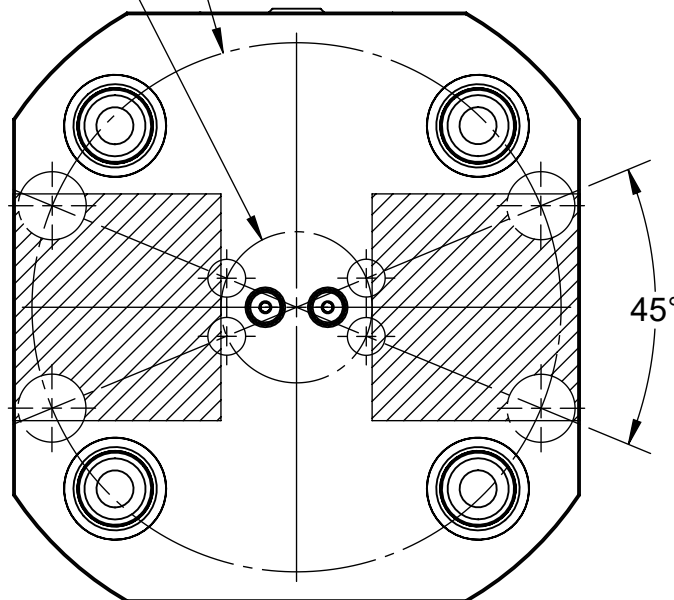
RL96S-66

2x M12 AT 180° ON ϕ 120.00 PCD
 2x M6 AT 180° ON ϕ 40.00 PCD



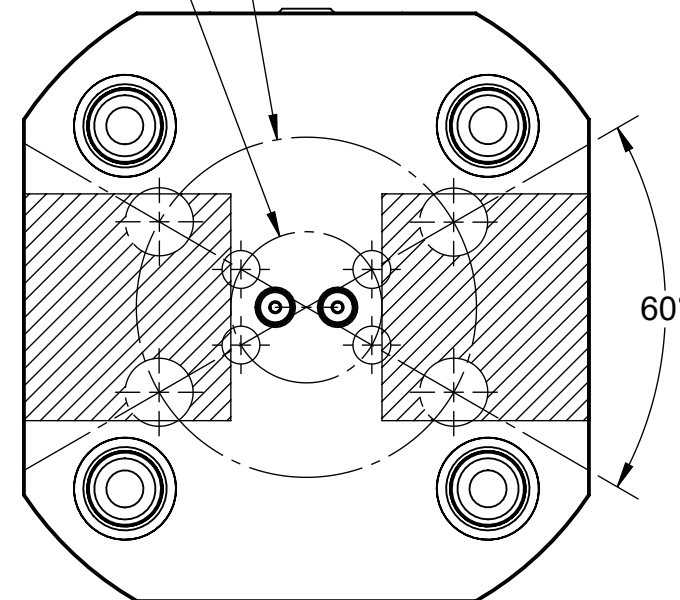
180° PATTERN

4x M12 AT 45° ON ϕ 140.00 PCD
 4x M6 AT 45° ON ϕ 40.00



45° PATTERN

4x M12 AT 60° ON ϕ 90.00 PCD
 4x M6 AT 60° ON ϕ 40.00 PCD



60° PATTERN

MIN & MAX PCD ON RL96A-66 & RL96S-66 FOR DIFFERENT SIZE HOLE

BOLT SIZE	2 BOLT 180°		4 BOLT 45°		4 BOLT 60°	
	MIN	MAX	MIN	MAX	MIN	MAX
-						
M6	40	130	40	140	40	110
M8	50	130	40	140	50	100
M10	50	130	50	140	50	100
M12	50	120	60	140	50	90

MILLIMETER <small>DRAWN IN ACCORDANCE WITH ASME Y14.5-2009</small> WWW.5THAXIS.COM 7140 ENGINEER ROAD SAN DIEGO, CA 92111 P (858) 505-0432 F (858) 505-9344	TOLERANCES <small>UNLESS OTHERWISE SPECIFIED</small> x ± 0.1 .xx ± 0.01 .x ± 0.05 .xxx ± 0.005 ANGULAR ± 0.5° THIRD ANGLE PROJECTION			
	DESCRIPTION ROCKLOCK™ 96MM LOW-PROFILE BASE		SIZE B	PART NO. RL96A-66 / RL96S-66
DO NOT SCALE DRAWING		SCALE 2:3	WEIGHT:	SHEET 3 OF 3

8

7

6

5

4

3

2

1

D

D

C

C

B

B

A

A